

# EnergyStation®

## Specification Sheet 1,000 DE Growing System PRO 240/277V



**Item Code:** ES-GS1000/DE/PRO/277

**Description:** 1,000W DE GROWING SYSTEM PRO 240/277V

### Performance

Lamp	Number	1	
	Watts	1000W	
Input Volts	240V	277V	
Input Current	4.60A	3.85A	
Input Power	1045W		
Min Power Factor	0.99		
THD	<10%		
Crest Factor	<1.7		

### Physical

Case Length	244.5mm	9.75"
Case Width	190.3mm	7.50"
Height	115.7mm	4.75"
Weight	6.29kg	14lbs

### Performance Requirements

Rated mains voltage:	240-277V
Voltage range (+/-10%):	216-305V
Mains frequency:	50/60Hz
Operation frequency	100-120kHz

### Dimming Type

Gear	600	750	825	1000	1150	EXT
------	-----	-----	-----	------	------	-----

\* External control: 0-10V Master Controller \*

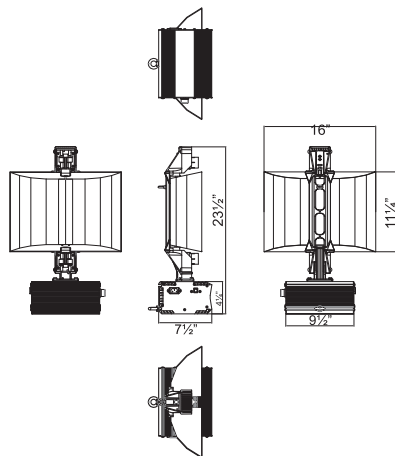
### Protections

1. End of Lamp Life (EOL) Protection.
2. Short circuit protection.
3. Open circuit protection.
4. Ignition failure protection.
5. Thermal protection.
6. Suitable for 0-10V master controller.

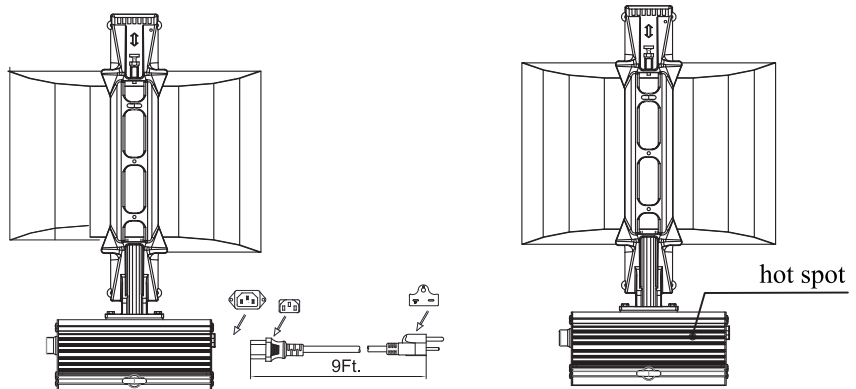
### Installation & Application Notes

1. Max. allowable case temperature: 75°C/167°F.
2. Ambient Temperature: -20 ~ +40°C/-4 ~ +104°F.
3. Max. Humidity: 95%.
4. Ignition voltage is 5kV.

Main Dimension



Wiring Diagram



Ballast case must be grounded

Tcase max=75°C/167°F



Lumen Efficient Design Inc. [lumenefficientdesign.ca](http://lumenefficientdesign.ca)  
All documentation is subject to change without notice. Please contact us for details.  
[info@lumenefficientdesign.com](mailto:info@lumenefficientdesign.com) sales. 647.450.0868 main. 705.207.6793